

# SERIES 70

## MODEL 704LV

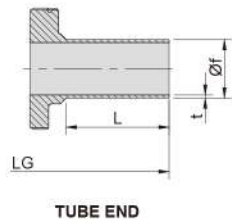
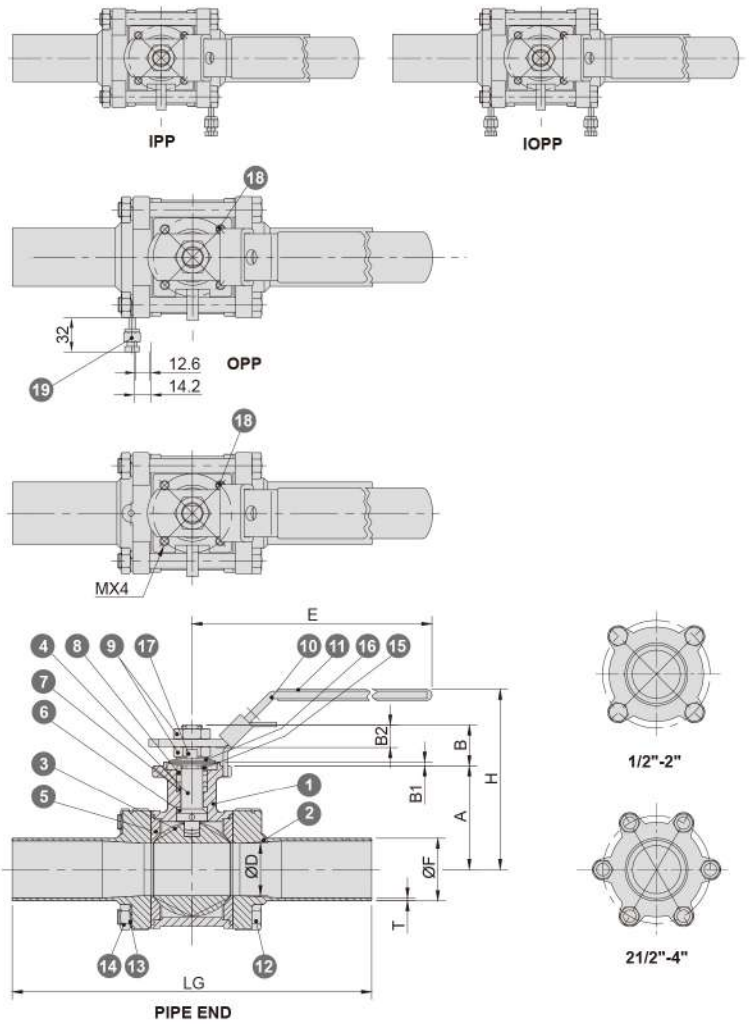
3-Piece High Purity Ball Valve  
Tube / Pipe



<b>Pressure Rating</b>	PN64 (3/8"-2") PN50 (2 1/2"-4")
<b>Material</b>	EN10213-1.4408, ASTM A351-CF8M
<b>Seat</b>	TFM1600
<b>Bore Type</b>	Pipe end: Full bore, Tube end: Standard bore
<b>Additional Features</b>	<ul style="list-style-type: none"> <li>• Oil-free product</li> <li>• Pipe end: 5S (SCH5), 10S (SCH10)</li> <li>• Surface roughness: AP Grade (Ra ≤ 0.8µm), BA Grade (Ra ≤ 0.25µm)</li> <li>• Anti-static device (Ball-stem-body)</li> <li>• Able to mount actuators with extra parts</li> <li>• Purge port (Optional)</li> </ul>

### MATERIALS LIST

NO.	PART NAME	QTY	MATERIAL
1	BODY	1	1.4408 (CF8M)
2	END CAP	2	1.4409 (CF3M)
3	BALL	1	SUS316
4	STEM	1	SUS316
5	SEAT	2	TFM1600
6	STEM SEAL	1	R.PTFE
7	V-RING PACKING	1SET	PTFE
8	BUSHING	1	50% S.S. POWDER FILLED PTFE
9	STEM NUT	2	SUS304
10	HANDLE	1	SUS304
11	HANDLE SLEEVE	1	VINYL
12	BOLT	4~6	SUS304
13	WASHER	4~12	SUS304
14	BOLT NUT	4~12	SUS304
15	GLAND	1	SUS304
16	BELLEVILLE WASHER	2	SUS304
17	LOCK SADDLE	1	SUS304
18	STOP PIN	1	SUS304
19	PURGE PORT	0~2	SUS304



### DIMENSIONS (mm)

SIZE	A	B	B1	B2	t	Øf	ØD	ØF	E	H	L	M	T		LG	ISO 5211	
													5S	10S			
3/8"	10A	37	18.8	2	9.3	-	9.6	17.3	136	72	-	M5	1.24	1.65	125.4	F03	
1/2"	15A	37	18.8	2	9.3	1.65	12.7	15	21.7	136	72	39	M5	1.65	2.1	150.8	F03
3/4"	20A	40.3	18.8	2	9.3	1.65	19.05	20	27.2	136	74	41.8	M5	1.65	2.1	155.7	F03
1"	25A	50	20.4	2	10.7	1.65	25.4	25	34	152	92	43.4	M5	1.65	2.8	186.2	F04
1 1/4"	32A	55.5	20.4	2	10.7	1.65	31.8	32	42.7	152	98	50	M5	1.65	2.8	195.6	F04
1 1/2"	40A	63	26.8	3	12.6	1.65	38.1	38	48.6	190	109	54.4	M6	1.65	2.8	231.6	F05
2"	50A	71.3	26.8	3	12.6	1.65	50.8	50	60.5	190	117	46.8	M6	1.65	2.8	243.4	F05
2 1/2"	65A	89.9	33.5	3	17	1.65	63.5	65	76.3	300	147	71	M8	2.1	3.0	290.2	F07
3"	80A	99	33.9	3	17	1.65	76.2	80	89.1	322	156	72	M10	2.1	3.0	302.2	F10
4"	100A	120	33.9	3	17	2.11	101.6	100	114.3	440	178	70	M10	2.1	3.0	326.2	F10

SERIES 10

SERIES 20

SERIES 30

SERIES 70

SERIES 85

SERIES 90

SERIES 95

SERIES MPY / MP

OTHER VALVES AND VALVE PARTS

PRESSURE-TEMPERATURE RATINGS