

# SERIES 20

## MODEL 204-5

3-Way Ball Valve

Flanged

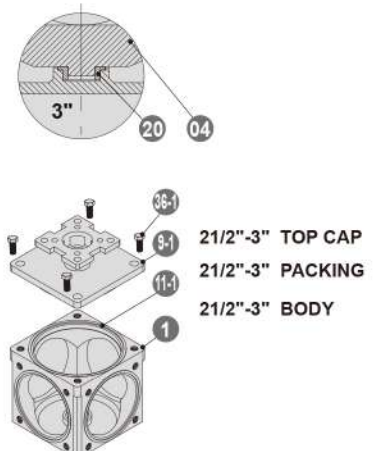
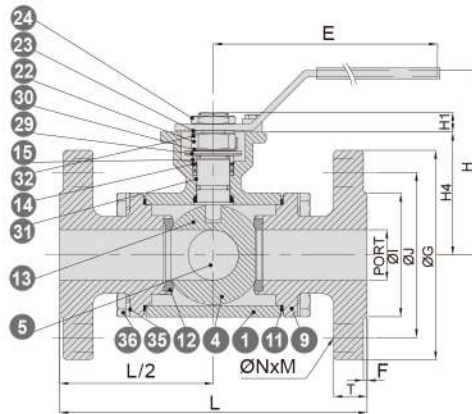
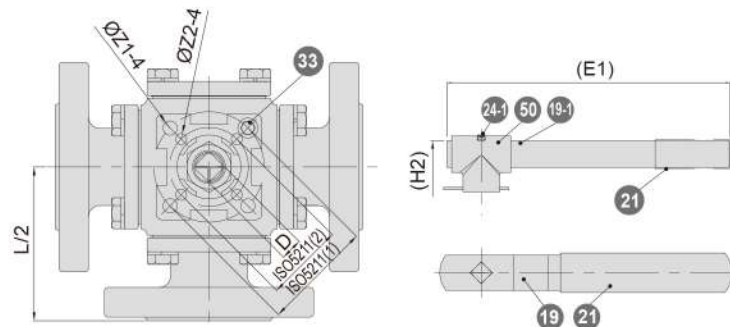
(1/2"-3")



<b>Pressure Rating</b>	ANSI Class 150, JIS 10K, DIN PN16
<b>Material</b>	ANSI Class 150: ASTM A351-CF8M JIS 10K: JIS G5121-SCS14A DIN PN16: EN10213-1.4408
<b>Seat</b>	RPTFE
<b>Bore Type</b>	Full bore
<b>Additional Features</b>	<ul style="list-style-type: none"> <li>L-port, T-port available</li> <li>ISO 5211 direct mounting pad</li> </ul>

### MATERIALS LIST

NO.	PART NAME	QTY	MATERIAL
1	BODY	1	CF8M
4	BALL	1	CF8M
5	STEM	1	SS316
9	END CAP	4	CF8M
9-1	TOP CAP	1	CF8M
11	PACKING	4	PTFE
11-1	PACKING	1	PTFE
12	SEAT	4	R.PTFE
13	THRUST WASHER	1	R.PTFE
14	STEM PACKING	1SET	R.PTFE
15	GLAND	1	SS304
19	HANDLE	1	SS304
19-1	HANDLE	1	SS304
20	BUSHING	1	PTFE
21	HANDLE SLEEVE	1	VINYL
22	STEM NUT	1	SS304
23	HANDLE WASHER	1	SS304
24	HANDLE NUT	1	SS304
24-1	HANDLE NUT	1	SS304
29	BELLEVILLE WASHER	2	SUS301
30	STOP WASHER	1	SS304
31	O-RING	1	VITON
32	PACKING FOLLOWER	1	PTFE+25%GF
33	STOP PIN	1SET	SS304
35	BOLT	16	SS304
36	BOLT WASHER	16	SS304
36-1	BOLT WASHER	4	SS304
50	HANDLE ADAPTER	1	CF8



### DIMENSIONS (mm)

SIZE	PORT	L	E	E1	H	H1	H2	H4	D	ØG	ØJ	ØI	T	F	M	ØN	ØZ1	ØZ2	ISO 5211	
1/2"	10K	15.0	147.4	186.5	-	89.0	9.0	-	47.8	9.0	95.0	70.0	51.0	12.0	1.0	4	15	6.0	-	42 F04
	PN16	16.0	158.0	186.5	-	89.0	9.0	-	47.8	9.0	95.0	65.0	45.0	16.0	2.0	4	14	6.0	-	42 F04
	150LB	16.0	146.8	186.5	-	89.0	9.0	-	47.8	9.0	89.0	60.5	35.0	11.1	1.60	4	16	6.0	-	42 F04
3/4"	10K	20.0	155.8	218.0	-	98.0	11.0	-	58.2	11.0	100.0	75.0	56.0	14.0	1.0	4	15	7.0	-	50 F05
	PN16	20.0	169.0	218.0	-	98.0	11.0	-	58.2	11.0	105.0	75.0	58.0	18.0	2.0	4	14	7.0	-	50 F05
	150LB	20.0	153.5	218.0	-	98.0	11.0	-	58.2	11.0	98.6	70.0	43.0	11.1	1.60	4	16	7.0	-	50 F05
1"	10K	25.0	168.8	218.0	-	102.0	11.5	-	64.0	11.0	125.0	90.0	67.0	14.0	1.0	4	19	7.0	-	50 F05
	PN16	25.0	185.0	218.0	-	102.0	11.5	-	64.0	11.0	115.0	85.0	68.0	18.0	2.0	4	14	7.0	-	50 F05
	150LB	25.0	170.0	218.0	-	102.0	11.5	-	64.0	11.0	108.0	79.2	51.0	11.1	1.60	4	16	7.0	-	50 F05
1 1/4"	10K	32.0	197.9	235.0	-	118.5	15.2	-	79.0	14.0	135.0	100.0	76.0	16.0	2.0	4	19	9.0	7.0	50 F07
	PN16	32.0	195.0	235.0	-	118.5	15.2	-	79.0	14.0	140.0	100.0	78.0	18.0	2.0	4	18	9.0	7.0	50 F07
	150LB	32.0	193.5	235.0	-	118.5	15.2	-	79.0	14.0	117.5	88.9	63.5	12.7	1.60	4	16	9.0	7.0	50 F07
1 1/2"	10K	40.0	221.4	235.0	-	127.0	14.3	-	88.5	14.0	140.0	105.0	81.0	16.0	2.0	4	19	9.0	7.0	50 F07
	PN16	38.0	232.0	235.0	-	127.0	14.3	-	88.5	14.0	150.0	110.0	88.0	18.0	2.0	4	18	9.0	7.0	50 F07
	150LB	38.0	217.0	235.0	-	127.0	14.3	-	88.5	14.0	127.0	98.6	73.2	14.3	1.60	4	16	9.0	7.0	50 F07
2"	10K	50.0	244.6	251.5	400.0	154.8	17.8	161.4	105.8	17.0	155.0	120.0	96.0	16.0	2.0	4	19	11.0	9.0	70 F10
	PN16	50.0	253.0	251.5	400.0	154.8	17.8	161.4	105.8	17.0	165.0	125.0	102.0	20.0	2.0	4	18	11.0	9.0	70 F10
	150LB	50.0	221.0	252.0	-	150.8	17.8	-	105.8	17.0	152.5	120.7	92.0	15.8	1.60	4	19	11.0	9.0	70 F10
2 1/2"	10K	64.0	270.0	301.5	400.0	166.2	17.5	172.8	117.3	17.0	175.0	140.0	116.0	18.0	2.0	4	19	11.0	9.0	70 F10
	PN16	65.0	270.0	301.5	400.0	166.2	17.5	172.8	117.3	17.0	185.0	145.0	122.0	18.0	2.0	4	18	11.0	9.0	70 F10
	150LB	65.0	270.0	301.5	400.0	166.2	17.5	172.8	117.3	17.0	177.8	139.7	104.7	23.3	1.60	4	19	11.0	9.0	70 F10
3"	10K	76.0	292.2	301.5	400.0	173.8	17.5	180.4	128.0	17.0	185.0	150.0	126.0	18.0	2.0	8	19	11.0	9.0	70 F10
	PN16	76.0	292.2	301.5	400.0	173.8	17.5	180.4	128.0	17.0	200.0	160.0	138.0	20.0	2.0	8	18	11.0	9.0	70 F10
	150LB	76.0	292.2	301.5	400.0	173.8	17.5	180.4	128.0	17.0	190.5	152.4	127.0	23.9	1.60	4	19	11.0	9.0	70 F10

PORT TYPE	1	2	3	4
T	2 3 1	2 3 1	2 3 1	2 3 1
L	2 3 1	2 3 1	2 3 1	2 3 1