

SERIES 30

MODEL 336

3-Piece

3/4-Way Sanitary

Ball Valve

T-Clamp



Pressure Rating 1000WOG (1/2"-2")
800WOG (2 1/2"-4")

Material ASTM A351-CF8M

Seat Cavity filled PTFE

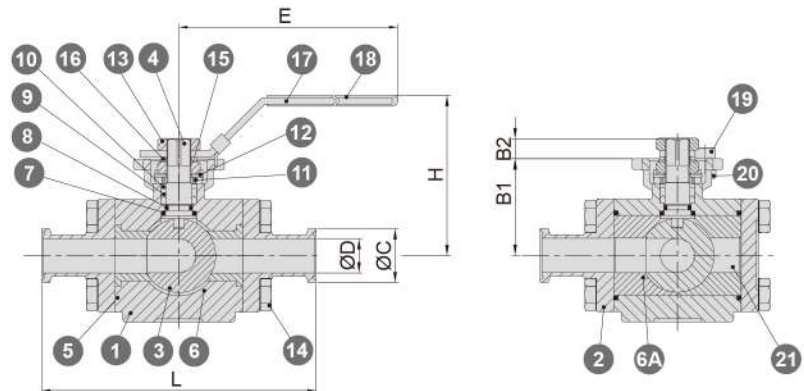
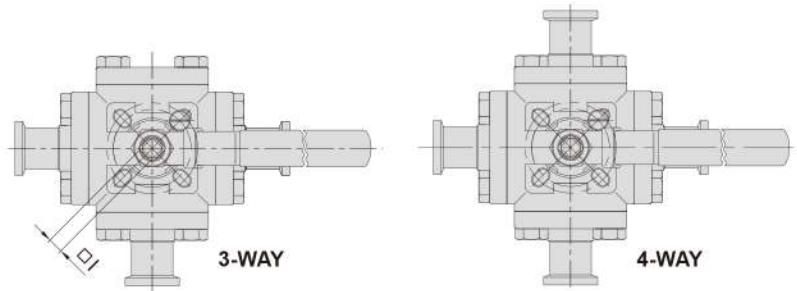
Bore Type Standard bore

Additional Features

- L-port, T-port
- ISO 5211 direct mounting pad
- Surface roughness: Ra ≤ 0.4μm

MATERIALS LIST

NO.	PART NAME	Q'TY	MATERIAL
1	BODY	1	CF8M
2	END CAP	4	CF8M
3	BALL	1	SUS316
4	STEM	1	SUS316
5	JOINT GASKET	2	PTFE
6	SEAT /CAVITY FILLER	2	PTFE
6A	SEAT /CAVITY FILLER	2	PTFE
7	STEM SEAL	1	R.PTFE
8	O-RING	1	VITON
9	V-RING PACKING	1SET	PTFE
10	BUSHING	1	50%S.S.POWDER FILLED PTFE
11	GLAND	1	SUS304
12	BELLEVILLE WASHER	2	SUS304
13	STEM NUT	2	SUS304
14	BOLT	16	SUS304
15	LOCK SADDLE	1	SUS304
16	WASHER	1	SUS304
17	HANDLE	1	SUS304
18	HANDLE SLEEVE	1	VINYL
19	STOP PIN	1	SUS304
20	NUT	1	SUS304
21	PLUG	1	PTFE



DIMENSIONS (mm)

SIZE	B1	B2	ØC	ØD	E	H	ØI	L	ISO 5211
1/2"	41.5	9	25	9.5	128	71.8	9	118	F03 F04
3/4"	44.7	9	25	15.9	128	75.1	9	127	F03 F04
1"	53.6	14	50.4	22.2	167	87	11	152.6	F04 F05
1 1/2"	67.4	15.5	50.4	35	215	101.3	14	175	F05 F07
2"	76.7	15.5	64.5	47.6	215	110.6	14	201.4	F05 F07
2 1/2"	96.6	16.5	77.7	60.3	322	149.3	17	227.7	F07 F10
3"	109.3	16.5	90.9	73	322	162	17	260.6	F07 F10
4"	132	21.5	118.9	97.4	320	185.5	22	290.5	F10

PORT TYPE	1	2	3	4
T				
L				

SERIES 10

SERIES 20

SERIES 30

SERIES 70

SERIES 85

SERIES 90

SERIES 95

SERIES
MPY / MP

OTHER VALVES
AND
VALVES PARTS

PRESSURE-
TEMPERATURE
RATINGS