



MODEL 304LV

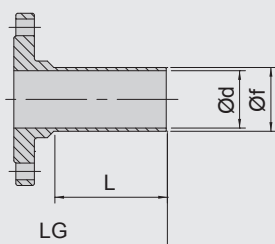
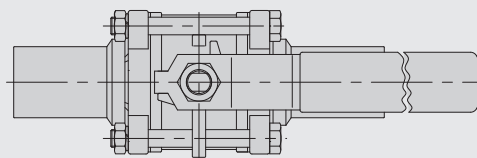
3-Piece Manual High Purity
Ball Valve
Tube / Pipe



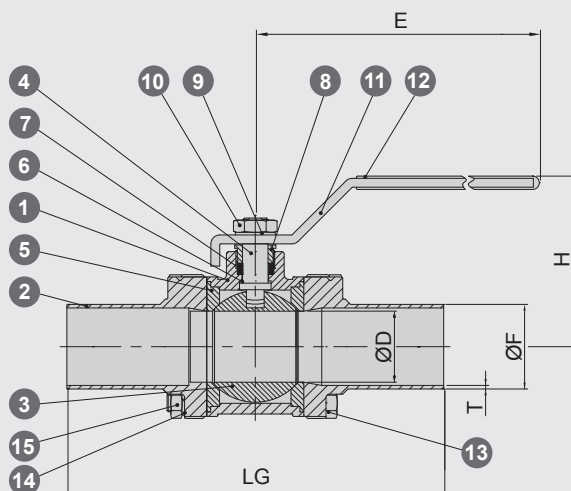
Pressure Rating	1000WOG
Material	ASTM A351-CF8M
Seat	TFM1600
Bore Type	Pipe end: Full bore, Tube end: Standard bore
Additional Features	<ul style="list-style-type: none"> Oil-free product Pipe End: 5S & 10S available Surface roughness: AP Grade ($Ra \leq 0.8\mu m$), BA Grade ($Ra \leq 0.25\mu m$)

MATERIALS LIST

NO.	PART NAME	Q'TY	MATERIAL
1	BODY	1	CF8M
2	END CAP	2	CF3M
3	BALL	1	SUS316
4	STEM	1	SUS316
5	SEAT	2	TFM1600
6	STEM SEAL	1	PTFE
7	STEM PACKING	1	PTFE
8	GLAND NUT	1	SUS304
9	STEM WASHER	1	SUS304
10	STEM NUT	1	SUS304
11	HANDLE	1	SUS304
12	HANDLE SLEEVE	1	VINYL
13	BOLT	4~6	SUS304
14	WASHER	4~12	SUS304
15	BOLT NUT	4~12	SUS304



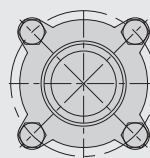
TUBE END



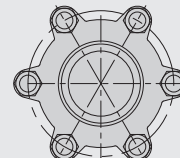
PIPE END

DIMENSIONS(mm)

SIZE	Ød	Øf	ØD	ØF	E	H	L	T		LG
								5S	10S	
1/2"	9.4	12.7	15	21.7	133	55	39	1.65	2.1	150.8
3/4"	15.75	19.05	20	27.2	133	59	41.8	1.65	2.1	155.7
1"	22.1	25.4	25	34	153	70	43.4	1.65	2.8	186.2
1 1/4"	28.5	31.8	32	42.7	153	75	50	1.65	2.8	195.6
1 1/2"	34.8	38.1	38	48.6	191	84	54.4	1.65	2.8	231.6
2"	47.5	50.8	50	60.5	191	92	46.8	1.65	2.8	243.4
2 1/2"	60.2	63.5	65	76.3	247	128	71	2.1	3.0	290.2
3"	72.9	76.2	80	89.1	247	137	72	2.1	3.0	302.2
4"	97.4	101.6	100	114.3	295	173	70	2.1	3.0	326.2



1/2"-2"



2 1/2"-4"